



## C.L-CNC-013X

### 自动钉胶机

### Automatic hinge machine

#### 功能

速度与操作双向结合，两台机合为一体，智能植入铰链与庄头完美结合。

#### Functions

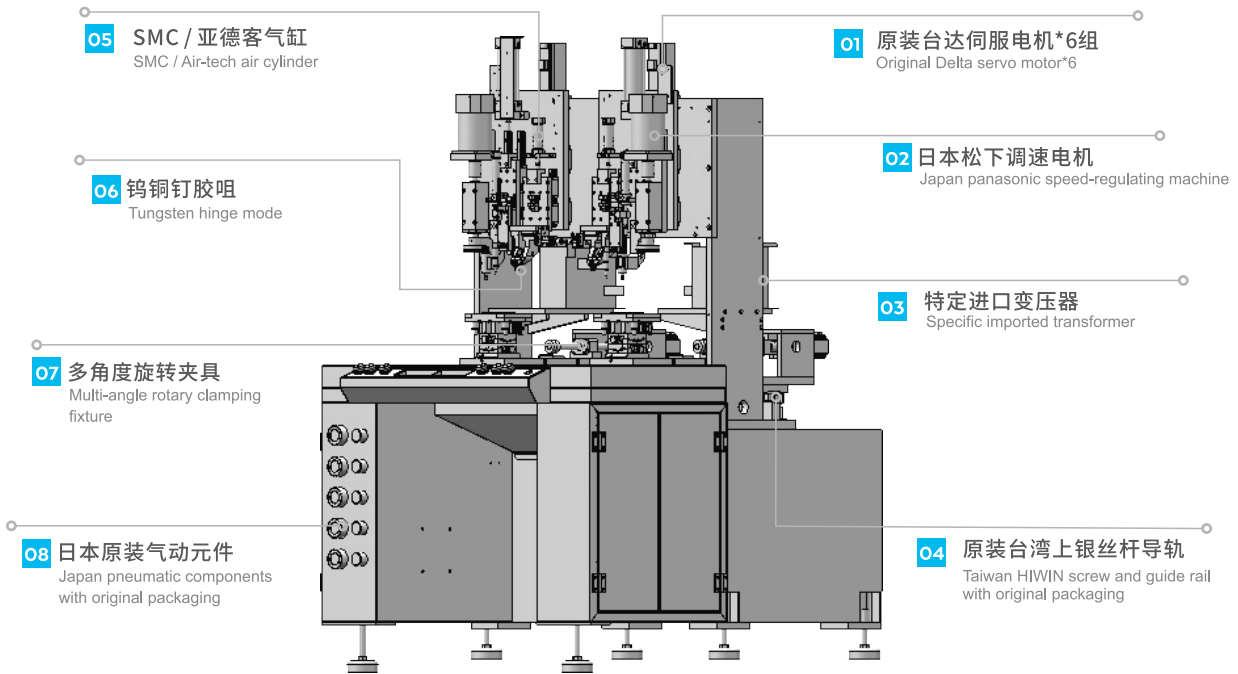
The operation speed and two-way combination, two machines together, combined with the intelligent implant the end\_piece and hinge perfect.

#### 优点

- 省人、省事、省时间，将钉铰前后工序组合于一体。
- 自动测量高度，使被钉铰的桩头位高度一致。
- 自动钻孔锣槽，使被钉的铰链周边光洁亮丽。
- 夹具调节方便，无需编程，快速安全。
- 加工精度0.005mm，加工效率180-200副/小时

#### Advantages

- It can save labor, trouble and time, and integrates the previous and subsequent inlaying procedures.
- It can automatically measure the height, thus keeping the consistent height of end piece to be hinged.
- With the automatic drilling slot, four edges around the hinge to be inlaid keep clean and bright.
- The fixture adjustment is convenient, without programming, fast and safe
- Processing accuracy 0.005MM, processing speed 180-200 hours per hour.



### 技术参数 / Technical Parameters

性能指标项 Performance index	标准值 standard value	工作电压 Working voltage	220V/50HZ
X、Y、Z轴运动定位精度 Positional accuracy of X/Y/Z axes movement	0.015mm	驱动系统 Driving system	台达伺服×6轴 Delta servo x6 shaft
X、Y、Z轴工作行程 Operating stroke of X/Y/Z axes	350mm*150mm*200mm	操作系统 Operating system	新代系统×2套 New generation system x2 sets
主轴功率 Spindle power	50w	气源压力 Air pressure	0.6MPA
主轴转速 Spindle speed	900RMP	床体重量(KG) Machine tool weight(KG)	1000KG
快速移动速度 Spindle number	45M/MIN	机床尺寸 Machine dimension	1000*1380*1800mm