



C.L-CNC-007

全自动刨比开料机

功能

自带3组机头，全自动开刨比，铣立体面，锣斜边，开槽等多工序一次性完成，节约时间，提高效率与精度。具备自动左右比分拣功能，将加工完成的比料分类放置于物料盘中，另带CCD影像自动识别开料功能。也是高清料开料的最好选择。

优点

- 整叠料自动开料与刨比。
- 智能生产无需编程。
- 省人省模，安全可靠。
- 精确度高光洁度好。
- 自动分拣左右比形。
- 可选配CCD影像自动识别开料功能。

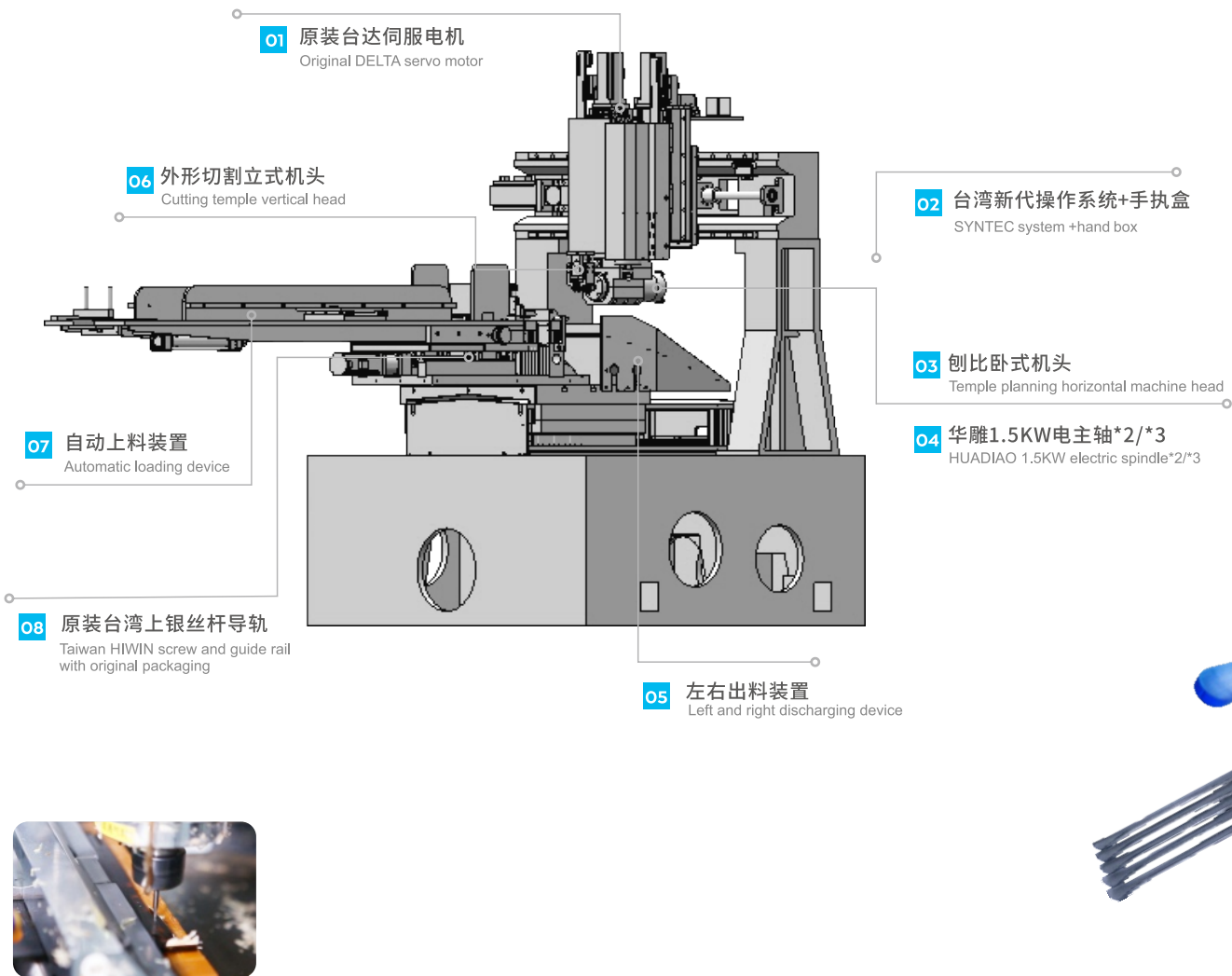
Automatic planing&cutting machine

Functions

Equipped with 3 sets of machine heads, fully automatic cutting and planing, multiple processes such as milling vertical surfaces, chamfering, slotting, etc. can be completed in one time, saving time, improving efficiency and accuracy. Equipped with automatic sorting and picking temple function, the processed materials are classified and placed in the material tray, and equipped with CCD to automatically identify and cutting materials. It is also the best choice for high-definition material cutting.

Advantages

- It can realize the automatic cutting and temple planing.
- It can realize the intelligent production, without programming.
- It can save labor and moule, safe and reliable.
- The precision is high, and the finish is good.
- Automatic sorting of left-right temple.
- It can be automatic recognition and cutting by CCD image.



技术参数 / Technical Parameters

性能指标项 Performance index	标准值 standard value	刀具规格 Shank mode	ER16
X、Y、Z轴运动定位精度 Positional accuracy of X/Y/Z axes movement	0.015mm	工作电压 Working voltage	220V/50HZ
X、Y、Z轴重复定位精度 The accuracy of repetitive positioning of X/Y/Z/A axes	0.010mm	驱动系统 Driving system	台达伺服×5轴 Delta servo x5 shaft
X、Y、Z轴工作行程 Operating stroke of X/Y/Z axes	500mm*500mm*200mm	操作系统 Operating system	新代系统+手执盒 SYNTEC system +hand box
主轴功率 Spindle power	1.5w×2/1.5KW×3	气源压力 Air pressure	0.6MPA
主轴转速 Spindle speed	1000-24000RMP	床体重量(KG) Machine tool weight(KG)	2000KG
快速移动速度 Spindle number	20M/MIN	机床尺寸 Machine dimension	1450*1550*1850mm